

SCRAPER

OPTIONAL RIPPERS

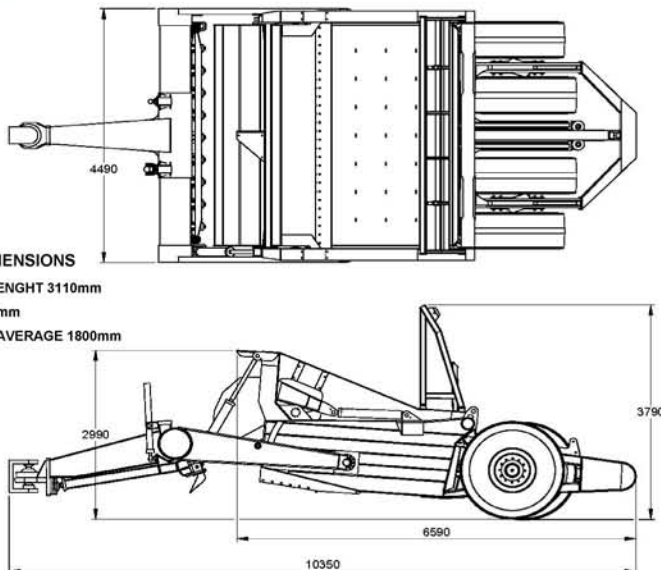
- * All machines manufactured have mounting points for rippers, std. This means that they can be added to the scraper at a later date if required.
- * Very solid construction to the main ripper frame and tool bar in conjunction with std CAT ripper tyres gives you reliable and trouble free use.
- * Swivel ball connection at the front of the ripper frame, a TAG LINK system and lift cylinders that can operate independent of each other, this means that the tool bar can be angled to apply more pressure to one side if required.

EXCELLENT FLOTATION

- * 4 Large (1720mm Ø) 26.5-25 Scraper Tyres fitted to heavy duty rims deliver excellent flotation, allowing you to keep working when traditional scrapers stop!
- * The wheels are staggered, with the outside wheels forward of the inside ones.
- * They are mounted to heavy duty custom made hubs, within the hubs there are large tapered roller bearings running in oil. Each bearing has a radial load rating of 6.9 tonne, giving a total of 55.2 tonne capacity.
- * Hubs are fixed to a pivot assembly which allows 13° oscillation each way, this allows the scraper to ride over uneven ground and reduces stress.

LARGE CAPACITY

- * Maximum capacity in black clay type soil is 28-30 cubic mtrs.
- * Normal capacity in clay type soils is 23 - 24 cubic mtrs.
- * Capacity in light type soils is 15 - 16 cubic mtrs.



SPECIFICATIONS

- Horsepower required 420 Plus.
- Lift from ground to edge 540mm , Max depth 290mm.
- Cutting Width 4 mtrs, using 623 scraper edges.
- Weight on tractor drawbar is 30%, approximately 5.9 tonne unloaded.
- Shipping weight 20 tonnes including rippers.
- Ejector door push cylinder 6" Bore, 4" Rod.
- Lift & apron cylinders 5" Bore, 2.5" Rods, CAT seals.



Gessner Industries reserves the right to alter any specifications without notice.

Reap the benefits
GESSNER INDUSTRIES

20 Molloy Street, Toowoomba Q 4350 | www.gessner.com.au
P. 07 4634 3477 | F. 07 4633 1973 | E. manager@gessner.com.au