

# LEWIS

# GRADER ATTACHMENTS

## VARIOUS TYPES OF TYRE CARRIES FOR GRADERS



## GRADER FRONT BLADES



## HAND WINCH REAR MOUNTED

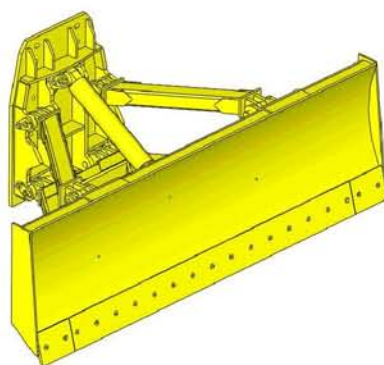
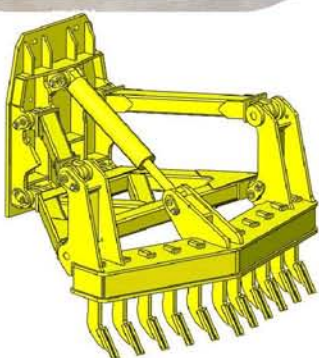


## VARIOUS TOW ATTACHMENTS

- .\*Std Clevis Type
- .\*Pintel Hook
- .\*Ring Feeder



- \*Std width 2750mm
- \*Parallelogram lift
- \*Bolt-on mounting
- \*Hydraulic tilt option



Front mounted scarifiers to enhance ripping capabilities in harsh conditions. Scarifier beam can be removed and replaced with grader blade as a cost saving feature.

Gessner Industries reserves the right to alter any specifications without notice.



# GESSNER INDUSTRIES

*Reap the benefits*

20 Molloy Street, Toowoomba Q 4350 | [www.gessner.com.au](http://www.gessner.com.au)  
 P. 07 4634 3477 | F. 07 4633 1973 | E. [manager@gessner.com.au](mailto:manager@gessner.com.au)