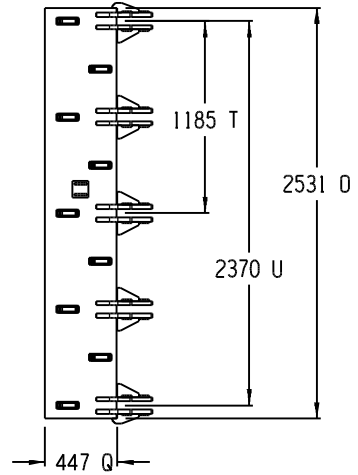
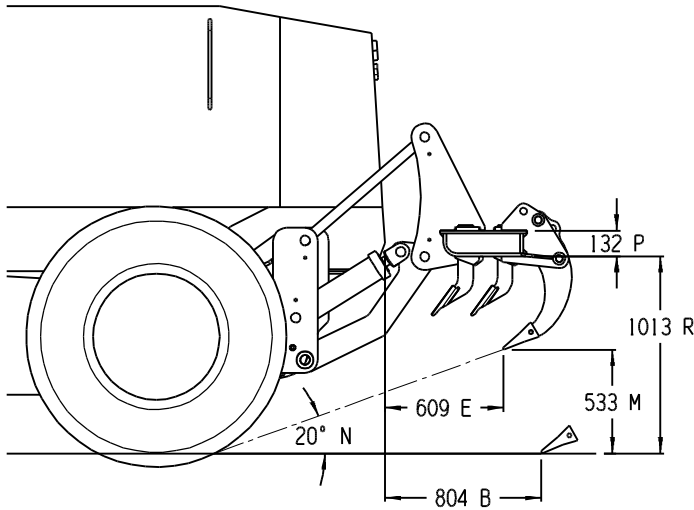




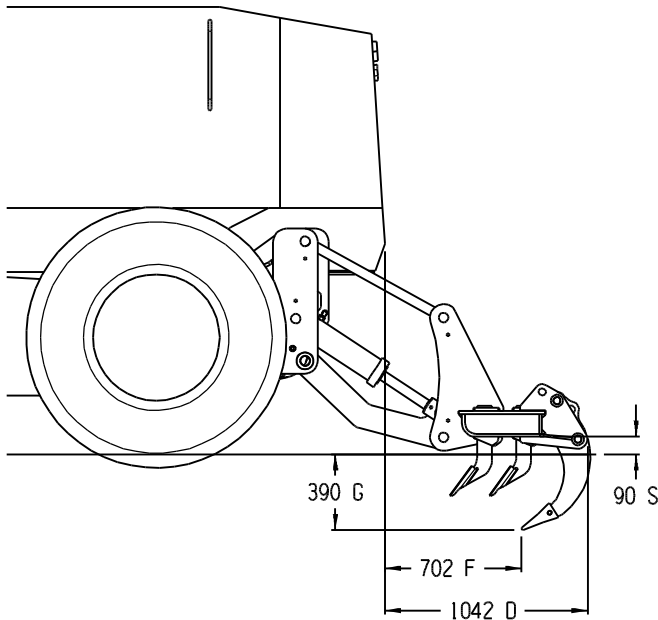
# LEWIS RIPPERS

## PRODUCT INFORMATION

PARALLELOGRAM RIPPER SCARIFIER SHANK  
 5 SWING UP SHANK 9 SCARIFIER SHANK  
 JOHN DEERE 670D GRADER



TOP VIEW OF BEAM



### SPECIFICATIONS

SHANK SECTION:  
50mm x 185 mm

CYLINDER BORE:  
4-1/2 inch (114.3 mm)

PENETRAT. FORCE:  
6781 kg (14949 lb)

PRYOUT FORCE:  
4559 kg (10050 lb)

APPROX. WEIGHT:  
1650 kg (3638 lb)

For definitions of dimensions and specifications refer to file No. 0031-292

(Office use)  
 Design layout No. 1692-002  
 Machine assy No. 1692-001  
 Ripper assy. No. 1692-001  
 Ripper shank No. 0041-027  
 Fitting Inst. No. 0122-075  
 Job No. C03210

GESSNER INDUSTRIES: Phone - (07) 4634 3477

DATE

SHEET

FILE No.

ISSUE

Specifications and materials are subject to change without notice.

Approved by:

14-10-05

1 OF 1

1692-003

A

0031-291 Product information

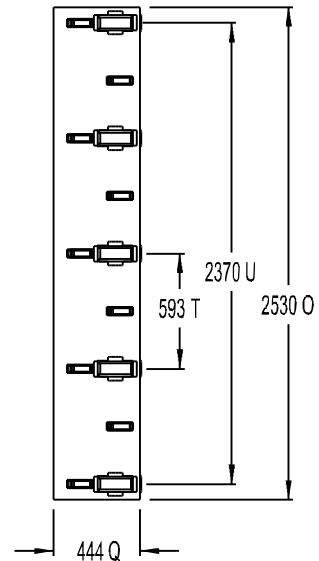
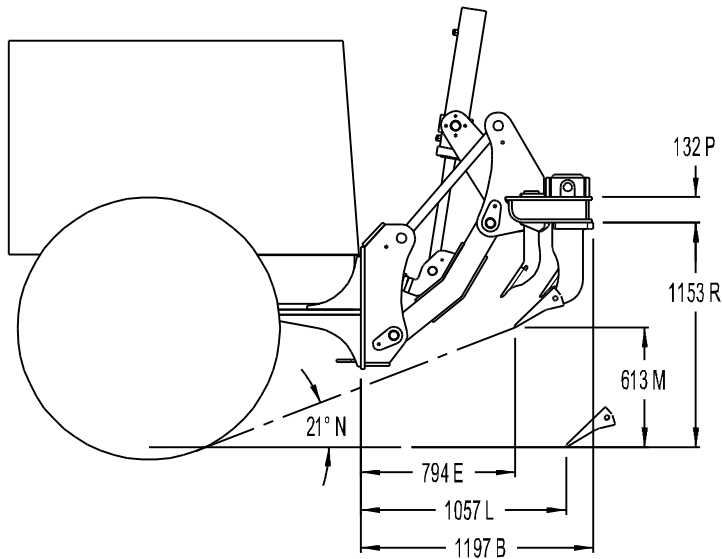


# LEWIS RIPPERS

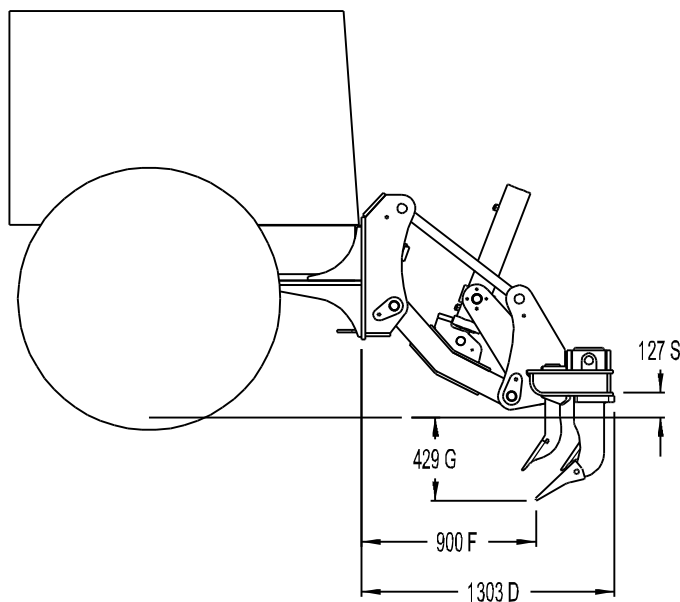
## PRODUCT INFORMATION

### PARALLELOGRAM RIPPER 5 RIGID 9 SCARIFIER

### KOMATSU GD555 GRADER



TOP VIEW OF BEAM



**SPECIFICATIONS**

**SHANK SECTION:**  
50 mm x 155 mm

**CYLINDER BORE:**  
4.5 inch (114.3 mm)

**PENETRAT. FORCE:**  
8250 kg (18150 lb)

**PRYOUT FORCE:**  
10280 kg (22615 lb)

**APPROX. WEIGHT:**  
1650 kg (3630 lb)

For definitions of dimensions and specifications refer to file No. 0031-292

(Office use)  
Design layout No. 1839-002  
Machine assy No. 0073-029  
Ripper assy. No. 1839-001  
Ripper shank No. 0041-036  
Fitting Inst. No. 0000-000  
Job No. C00621

GESSNER INDUSTRIES: Phone - (07) 4834 3477

DATE

SHEET

FILE No.

ISSUE

Specifications and materials are subject to change without notice.

Approved by:

10-09-03

1 OF 1

1839-003

A

0031-291 Product information

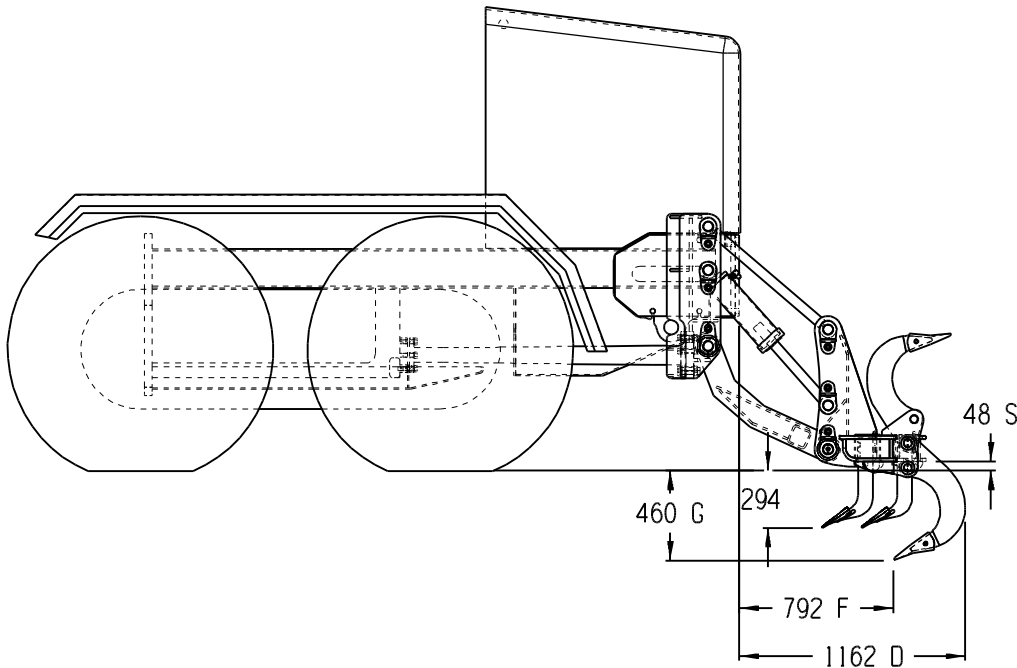
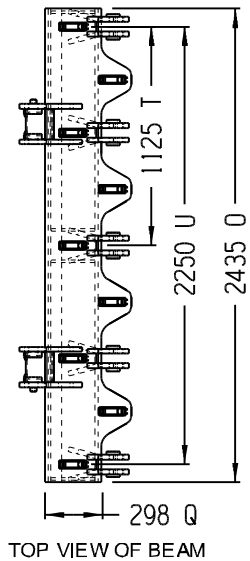
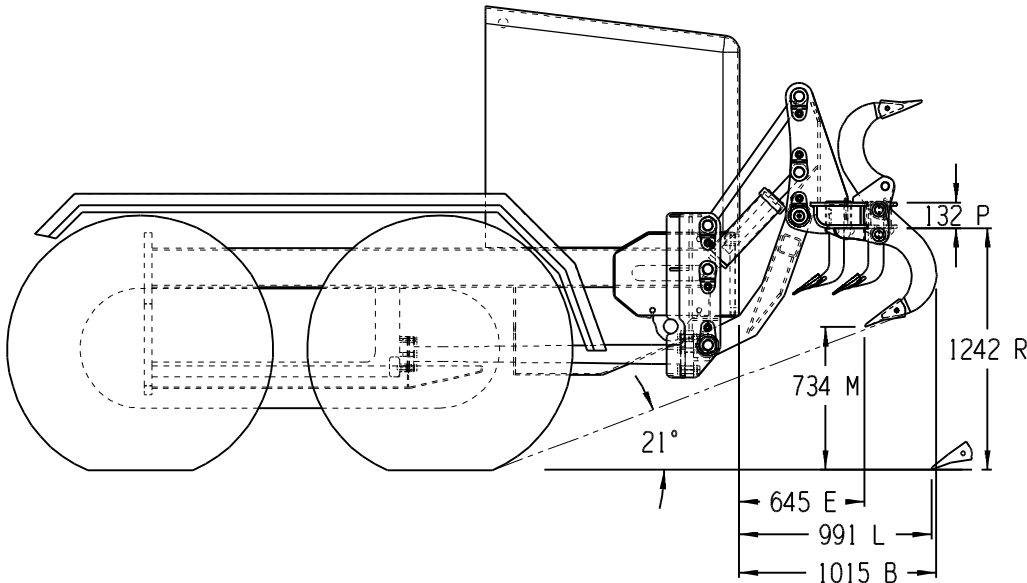


# LEWIS RIPPERS

## PRODUCT INFORMATION

PARALLELOGRAM RIPPERS

VOLVO G940 GRADER



### SPECIFICATIONS

SHANK SECTION:  
51 mm

CYLINDER BORE:  
4½ inch (114.3 mm)

PENETRAT. FORCE:  
8453 kg (18636 lb)

PRYOUT FORCE:  
6173 kg (13611 lb)

APPROX. WEIGHT:  
1690kg (3725 lb)

For definitions of dimensions and specifications refer to file No. 0031-292

(Office use)  
Design layout No. 2222-102  
Machine assy No. 0078-022  
Ripper assy. No. 2222-101  
Ripper shank No. 0078-402  
Fitting Inst. No. 0000-000  
Job No. C04676

GESSNER INDUSTRIES: Phone - (07) 4634 3477

DATE

SHEET

FILE No.

ISSUE

Specifications and materials are subject to change without notice.

Approved by:

08-12-06

1 OF 1

2222-103

A

0031-291 Product information

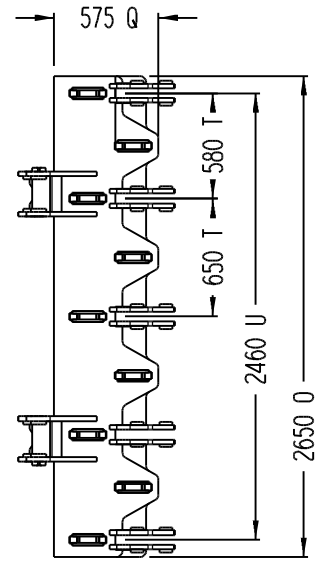
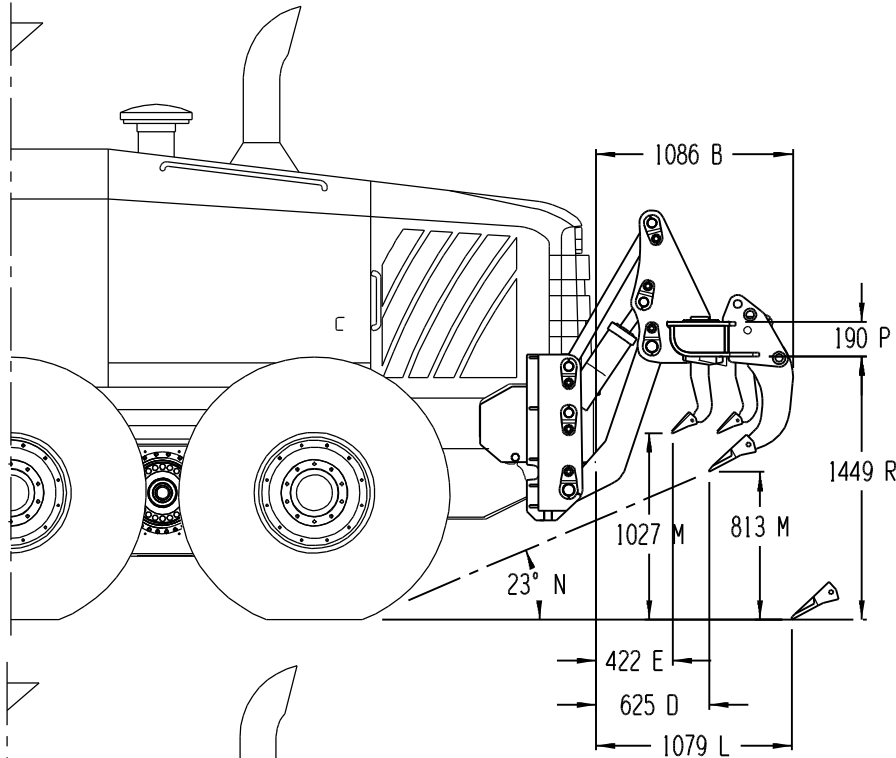


# LEWIS RIPPERS

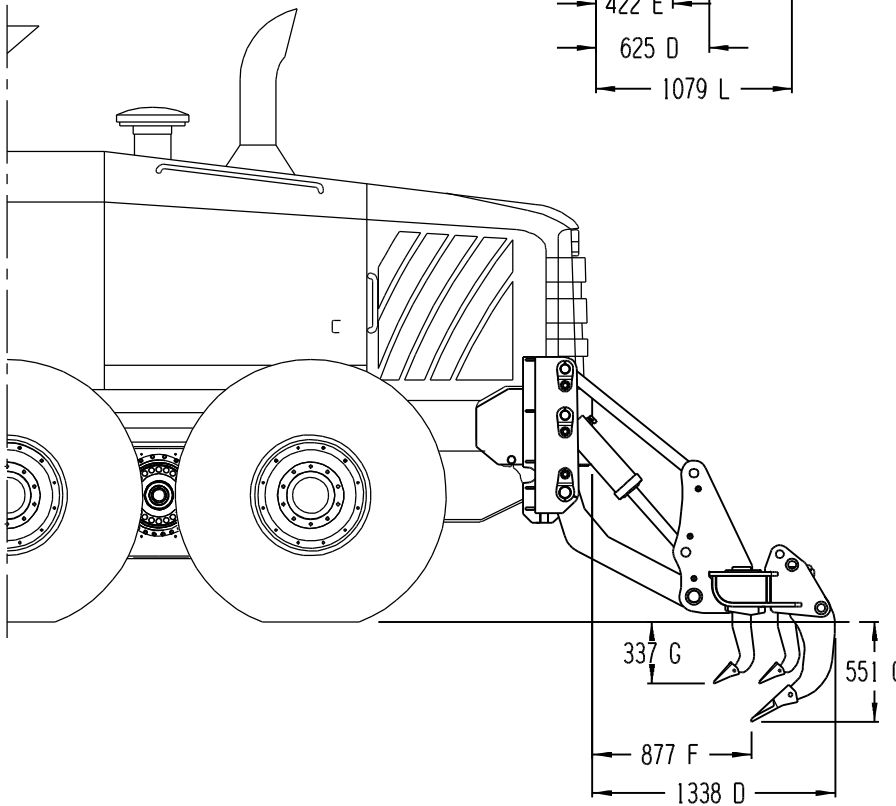
## PRODUCT INFORMATION

PARALLELOGRAM RIPPERS

VOLVO G970 & G990 GRADER



TOP VIEW OF BEAM



### SPECIFICATIONS

SHANK SECTION:  
50 mm x 180 mm

CYLINDER BORE:  
5 inch (127 mm)

PENETRAT. FORCE:  
10870 kgf (23920 lbf)

PRYOUT FORCE:  
8635 kgf (19000 lbf)

APPROX. WEIGHT:  
2410kg (5300 lb)

For definitions of  
dimensions and  
specifications refer  
to file No. 0031-292

(Office use)  
Design layout No. 2223-002  
Machine assy No. 0078-022  
Ripper assy. No. 2223-001  
Ripper shank No. 0041-393  
Fitting Inst. No. -  
Job No. C05158

GESSNER INDUSTRIES: Phone - (07) 4634 3477

DATE

SHEET

FILE No.

ISSUE

Specifications and materials are  
subject to change without notice.

Approved  
by:

14-05-07

1 OF 1

2223-003

A

0031-291 Product information