



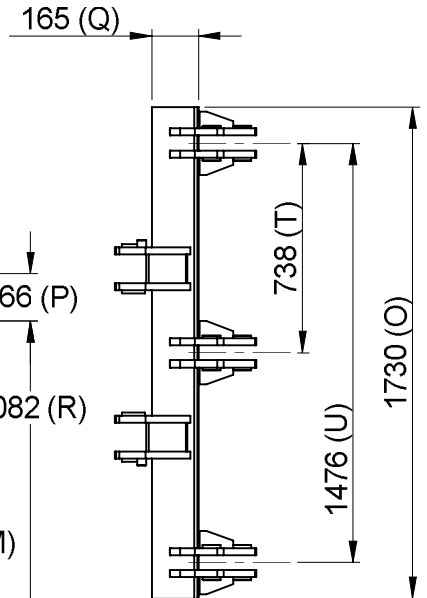
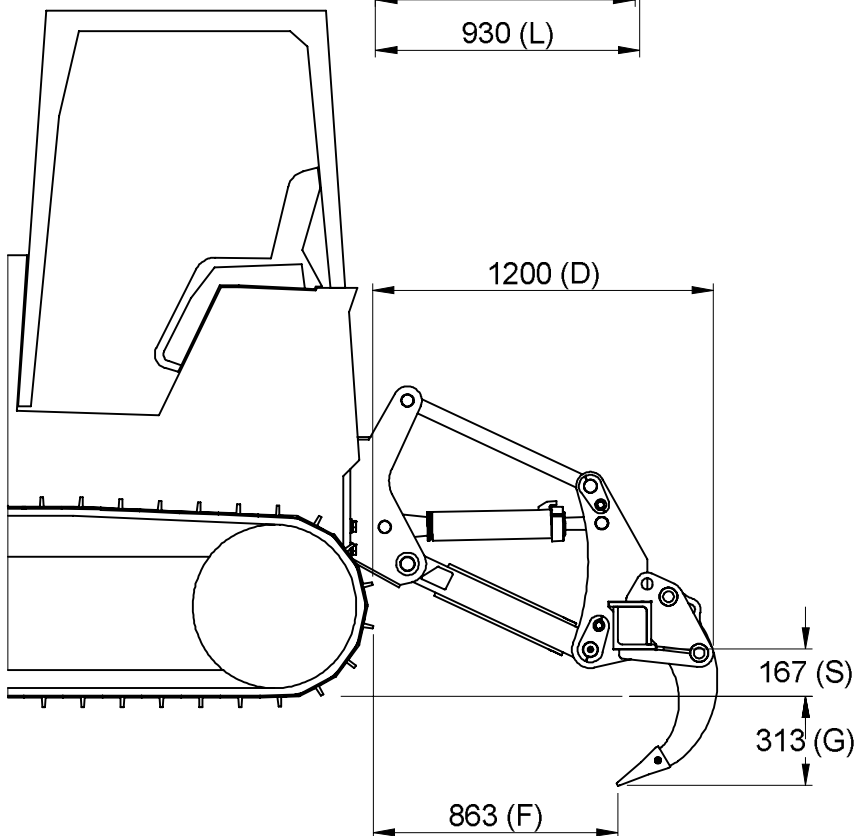
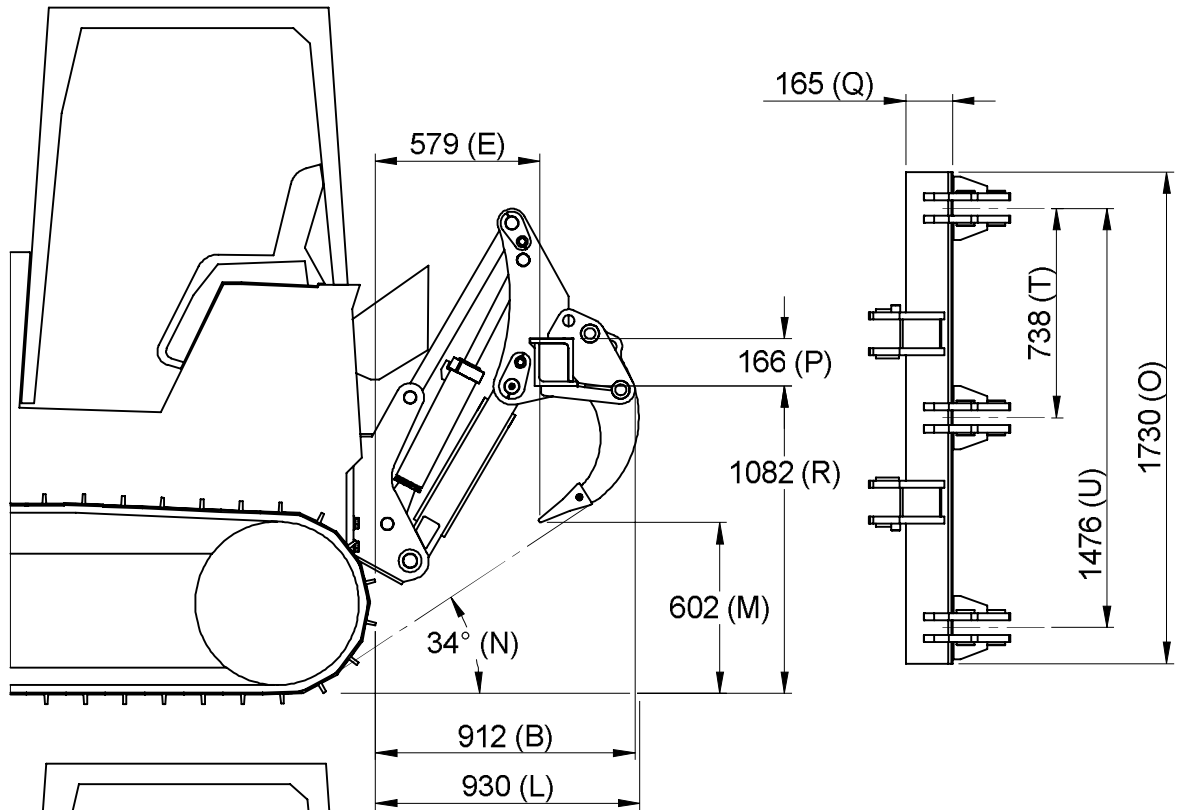


# LEWIS RIPPERS

## PRODUCT INFORMATION

### PARALLELOGRAM RIPPER - RIGID SHANK

#### CATERPILLAR D4G DOZER



#### SPECIFICATIONS

- SHANK SECTION:  
155 mm x 50 mm
- CYLINDER BORE:  
3-1/2 inch (88.9 mm)
- PENETRAT. FORCE:  
5760 kg (12660 lb)
- PRYOUT FORCE:  
10630 kg (23380 lb)
- APPROX. WEIGHT:  
820 kg (1800 lb)

For definitions of dimensions and specifications refer to file No. 0031-292

(Office use)  
Design layout No. 1329-002  
Machine assy. No. 0000-000  
Ripper assy. No. 1329-001  
Ripper shank No. 0041-027  
Fitting Inst. No. 0122-024  
Job No. C04824

GESSNER INDUSTRIES: Phone - (07)4634 3477

DATE

SHEET

FILE NO.

ISSUE

SUBJECT TO TECHNICAL  
MODIFICATIONS

21-03-07

1 OF 1

1329-003

A

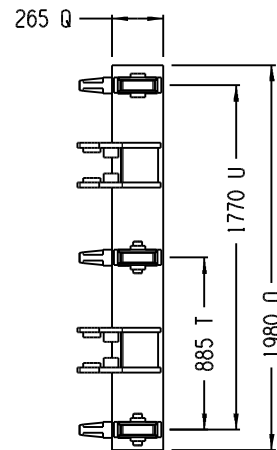
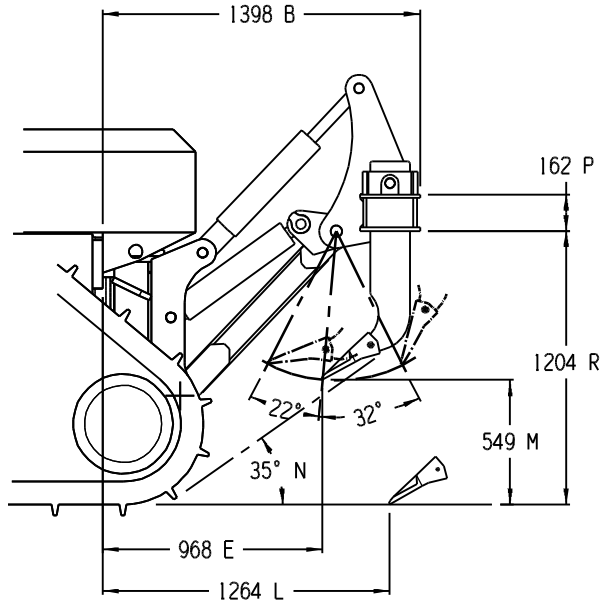


# LEWIS RIPPERS

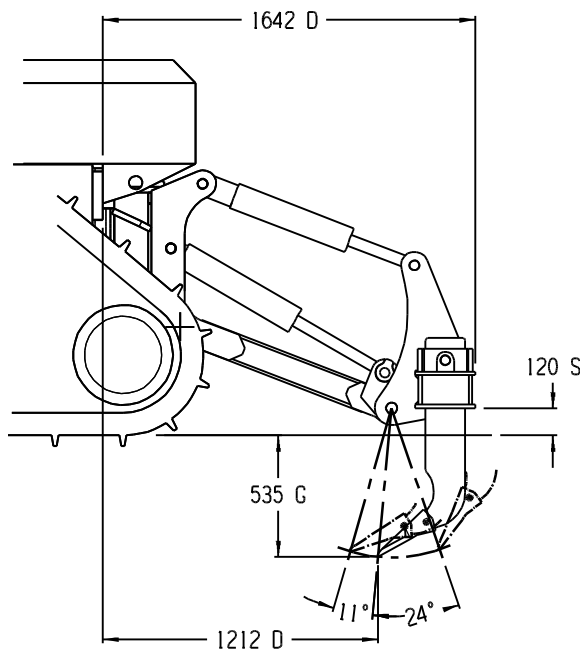
## PRODUCT INFORMATION

VARIABLE PITCH RIPPER - RIGID SHANK

### CAT D5M DOZER



TOP VIEW OF BEAM



#### SPECIFICATIONS

SHANK SECTION:  
50 mm x 174 mm

CYLINDER BORE:  
4.0 inch (101.6 mm)

PENETRAT. FORCE:  
10900 kgf (24030 lbf)

PRYOUT FORCE:  
8170 kgf (18020 lbf)

APPROX. WEIGHT:  
1575 kg (3465 lb)

For definitions of dimensions and specifications refer to file No. 0031-292

(Office use)  
Design layout No. 1315-002  
Machine assy No. 0063-026  
Ripper assy. No. 1315-001  
Ripper shank No. 3338-J  
Fitting Inst. No. -  
Job No. -

GESSNER INDUSTRIES: Phone - (07) 4634 3477

DATE

SHEET

FILE No.

ISSUE

Specifications and materials are subject to change without notice.

Approved by:

7-04-08

1 OF 1

1315-003

B

0031-291 Product information

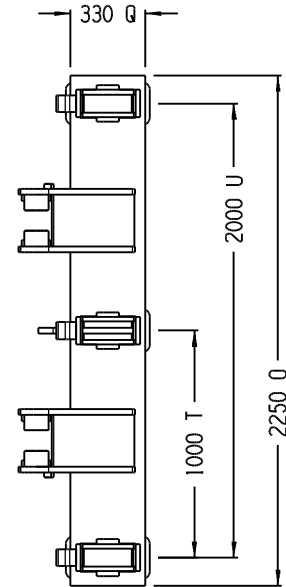
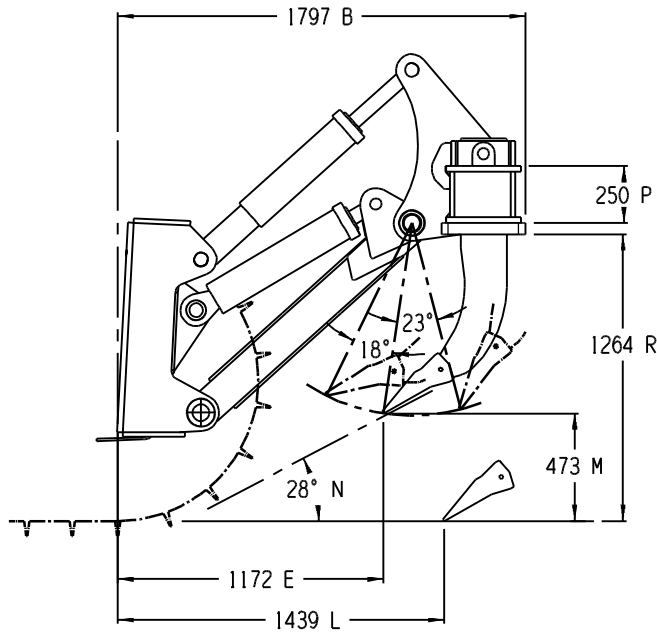


# LEWIS RIPPERS

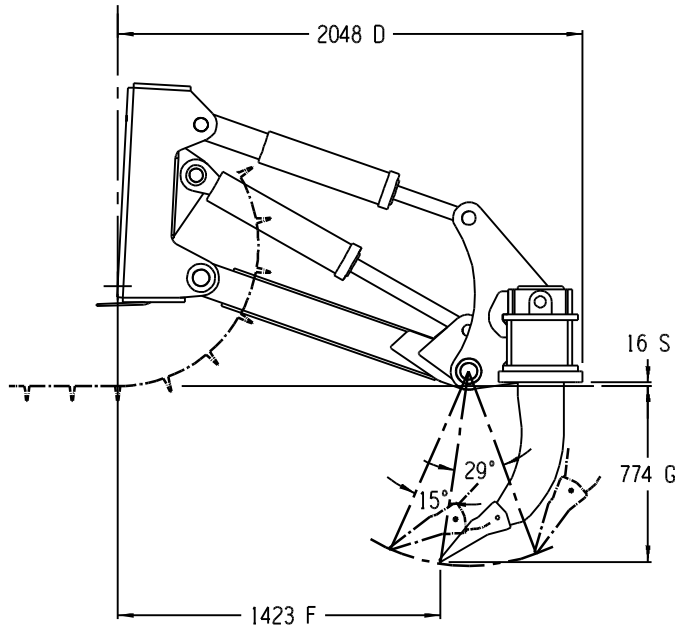
## PRODUCT INFORMATION

VARIABLE PITCH RIPPER - RIGID SHANK

### CAT D6H / D6R DOZER



TOP VIEW OF BEAM



#### SPECIFICATIONS

SHANK SECTION:  
75 mm x 203 mm

CYLINDER BORE:  
5.0 inch (127.0 mm)

PENETRAT. FORCE:  
21540 kgf (47380 lbf)

PRYOUT FORCE:  
13920 kgf (30630 lbf)

APPROX. WEIGHT:  
2560 kg (5640 lb)

For definitions of dimensions and specifications refer to file No. 0031-292

(Office use)  
Design layout No. 0043-089  
Machine assy No. 0063-020  
Ripper assy. No. 1144-001  
Ripper shank No. 5046-J  
Fitting Inst. No. -  
Job No. -

GESSNER INDUSTRIES: Phone - (07) 4634 3477

DATE

SHEET

FILE No.

ISSUE

Specifications and materials are subject to change without notice.

Approved by:

7-04-08

1 OF 1

0143-089

C

0031-291 Product information

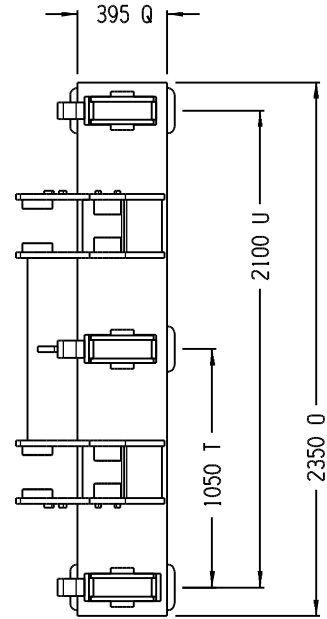
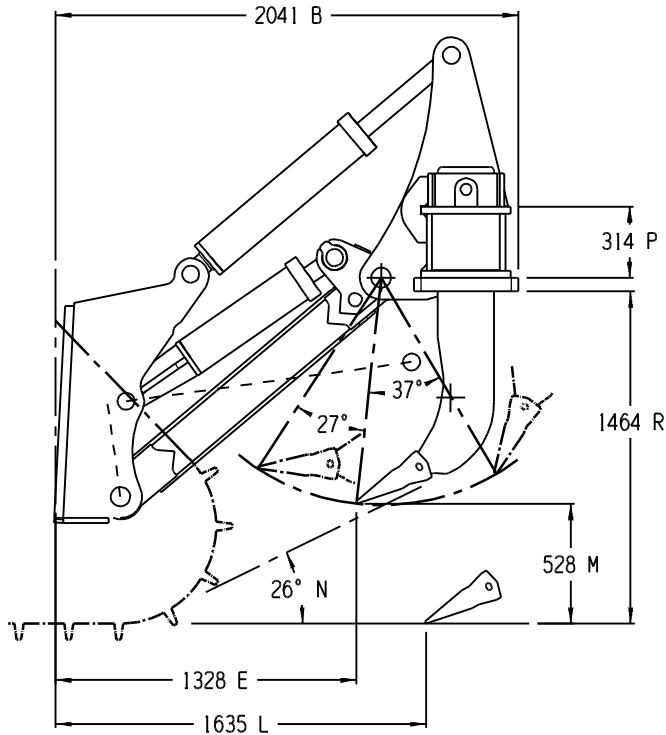


# LEWIS RIPPERS

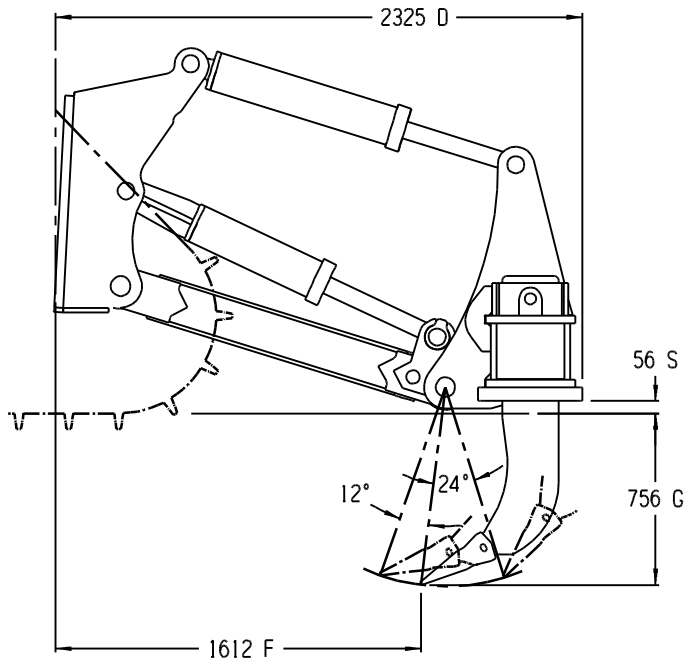
## PRODUCT INFORMATION

VARIABLE PITCH RIPPER - RIGID SHANK

### CAT D7H / D7R DOZER



TOP VIEW OF BEAM



#### SPECIFICATIONS

SHANK SECTION:  
75 mm x 248 mm

CYLINDER BORE:  
6.0 inch (152.4 mm)

PENETRAT. FORCE:  
25970 kgf (57130 lbf)

PRYOUT FORCE:  
18740 kgf (41230 lbf)

APPROX. WEIGHT:  
4100 kg (9020 lb)

For definitions of dimensions and specifications refer to file No. 0031-292

(Office use)  
Design layout No. 1148-002  
Machine assy No. 0063-021  
Ripper assy. No. 1148-001  
Ripper shank No. 0041-136  
Fitting Inst. No. -  
Job No. -

GESSNER INDUSTRIES: Phone - (07) 4634 3477

DATE

SHEET

FILE No.

ISSUE

Specifications and materials are subject to change without notice.

Approved by:

7-04-08

1 OF 1

0143-097

B

0031-291 Product information

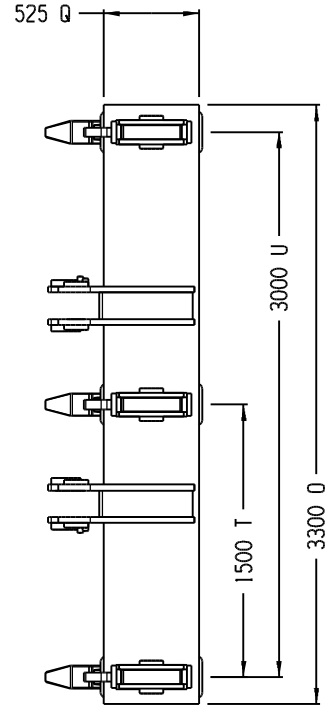
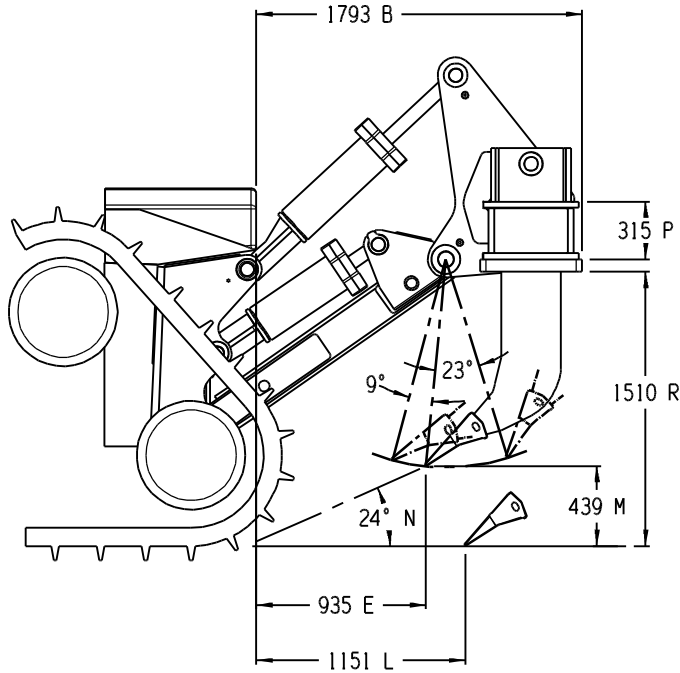


# LEWIS RIPPERS

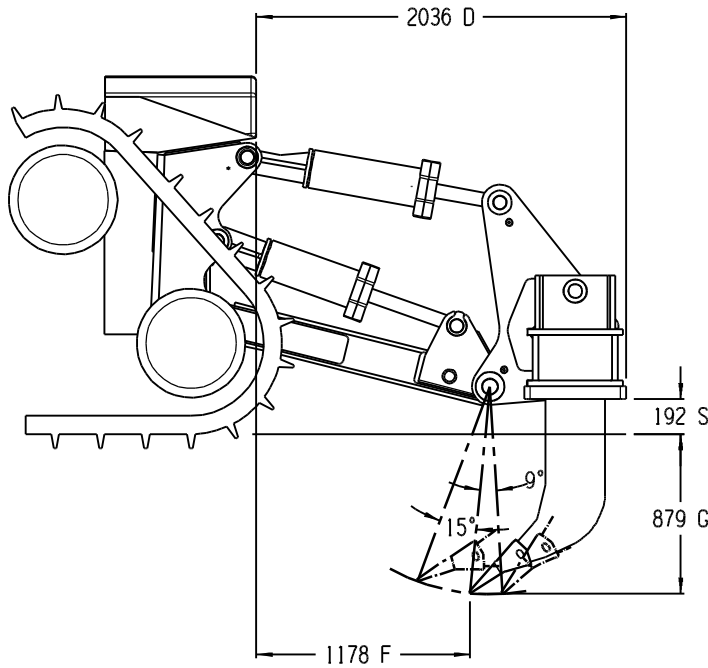
## PRODUCT INFORMATION

VARIABLE PITCH RIPPER - RIGID SHANK

### CAT D8N / D8R DOZER



TOP VIEW OF BEAM



#### SPECIFICATIONS

SHANK SECTION:  
75 mm x 330 mm

CYLINDER BORE:  
7.0 inch (177.8 mm)

PENETRAT. FORCE:  
30875 kgf (67930 lbf)

PRYOUT FORCE:  
26415 kgf (58115 lbf)

APPROX. WEIGHT:  
6825 kg (15020 lb)

For definitions of dimensions and specifications refer to file No. 0031-292

(Office use)  
Design layout No. 1326-002  
Machine assy No. 0063-038  
Ripper assy. No. 1326-001  
Ripper shank No. 0041-214  
Fitting Inst. No. -  
Job No. -

GESSNER INDUSTRIES: Phone - (07) 4634 3477

DATE

SHEET

FILE No.

ISSUE

Specifications and materials are subject to change without notice.

Approved by:

7-04-08

1 OF 1

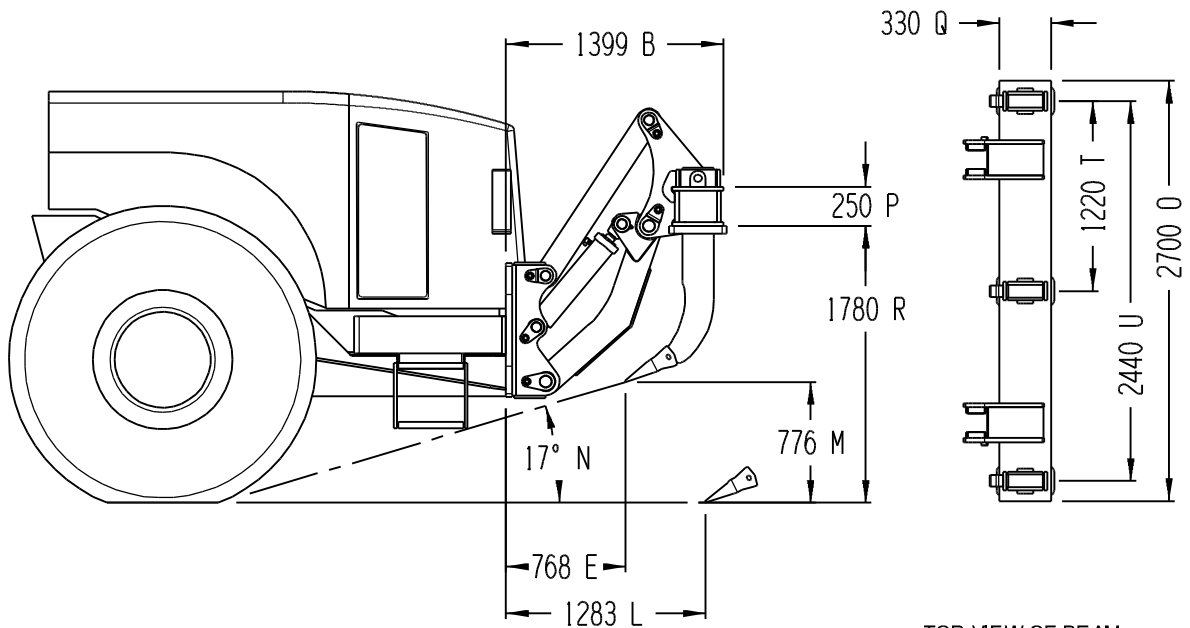
1326-003

B

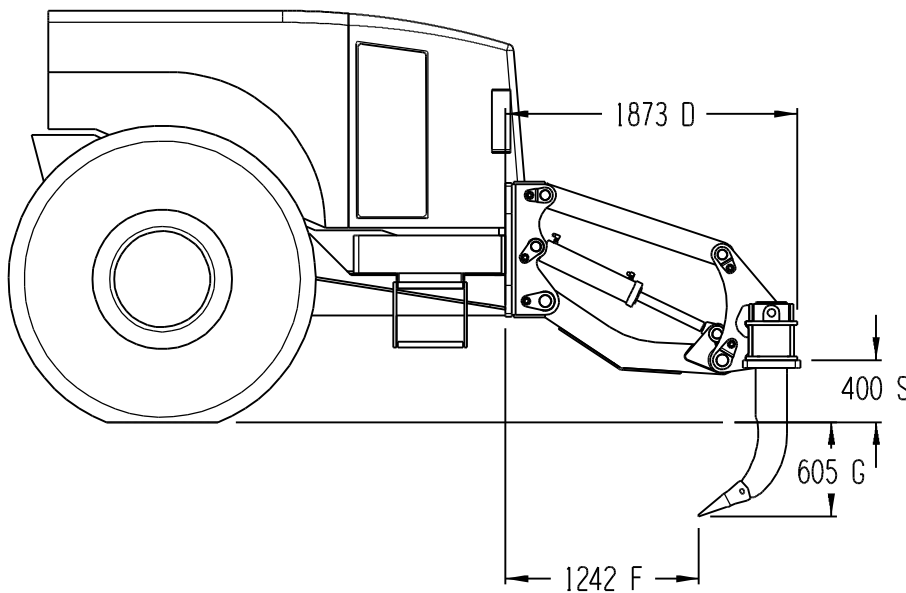
0031-291 Product information

# LEWIS RIPPERS

PRODUCT INFORMATION  
 PARALLELOGRAM RIPPER - RIGID SHANK  
**CATERPILLAR 824G**



TOP VIEW OF BEAM



**SPECIFICATIONS**

SHANK SECTION:  
75 mm x 203 mm

CYLINDER BORE:  
5 inch (127 mm)

PENETRAT. FORCE:  
10920 kgf (24030 lbf)

PRYOUT FORCE:  
6990 kgf (15370 lbf)

APPROX. WEIGHT:  
4000 kg (8800 lb)

For definitions of dimensions and specifications refer to file No. 0031-292

(Office use)  
 Design layout No. 1351-002  
 Machine assy No. 0063-184  
 Ripper assy. No. 1351-001  
 Ripper shank No. 5046-R  
 Fitting Inst. No. 1351-004  
 Job No. C04835

GESSNER INDUSTRIES: Phone - (07) 4634 3477

DATE D

SHEET

FILE No.

ISSUE

Specifications and materials are subject to change without notice.

Approved by:

12-03-07

1 OF 1

1351-003

A

0031-291 Product information