

HARDPLOUGH CUTTING EDGE SPECIFICATION SHEET

TRADING NAME.....
 CONTACT..... PH.....
 E-MAIL..... FAX.....
 ADDRESS..... POST CODE.....
 FREIGHT DETAILS.....

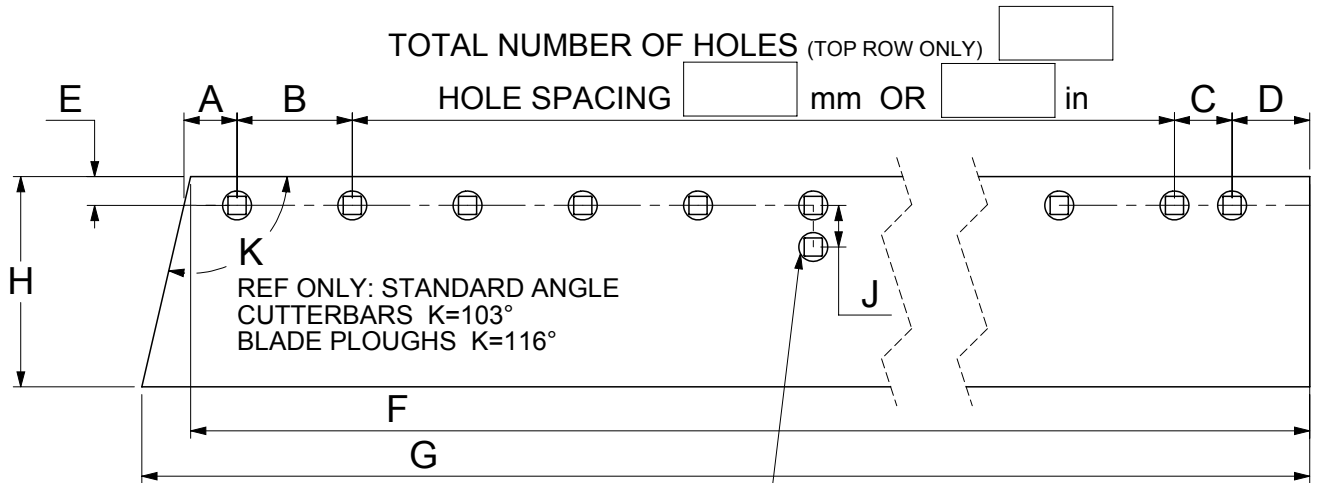


TICK THE BOX

1. EDGES FOR BLADE PLOUGHS.....

2. EDGES FOR SINGLE TYNE CUTTERBAR.....

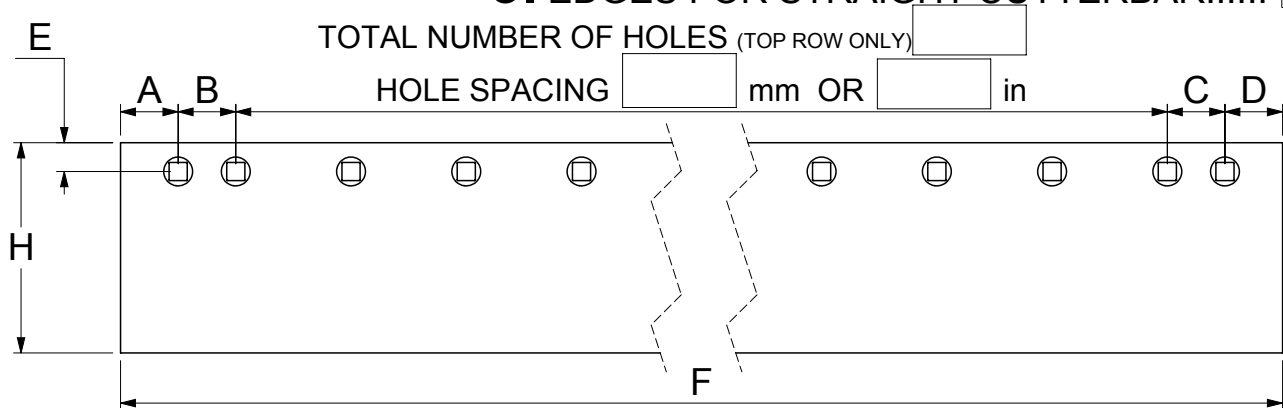
GESSNER HOMAN RDM OTHER (PLEASE SPECIFY)
 SIZE..... SIZE..... SIZE..... SIZE.....
 MODEL..... MODEL..... MODEL..... MODEL.....



NOTE: STANDARD GESSNER SIZES ARE AS FOLLOWS:
 A=70; B=6"; E=38; H=278; J=55

SECOND HOLE EVERY 6th HOLE? YES NO

3. EDGES FOR STRAIGHT CUTTERBAR.....



KEY: (1 OR 2 OR 3)

A=..... E=..... G=..... J=.....
 B=..... F=..... H=..... K=.....
 C=..... PLOUGH BOLT SIZE Ø=.....
 D=..... EDGE THICKNESS =.....